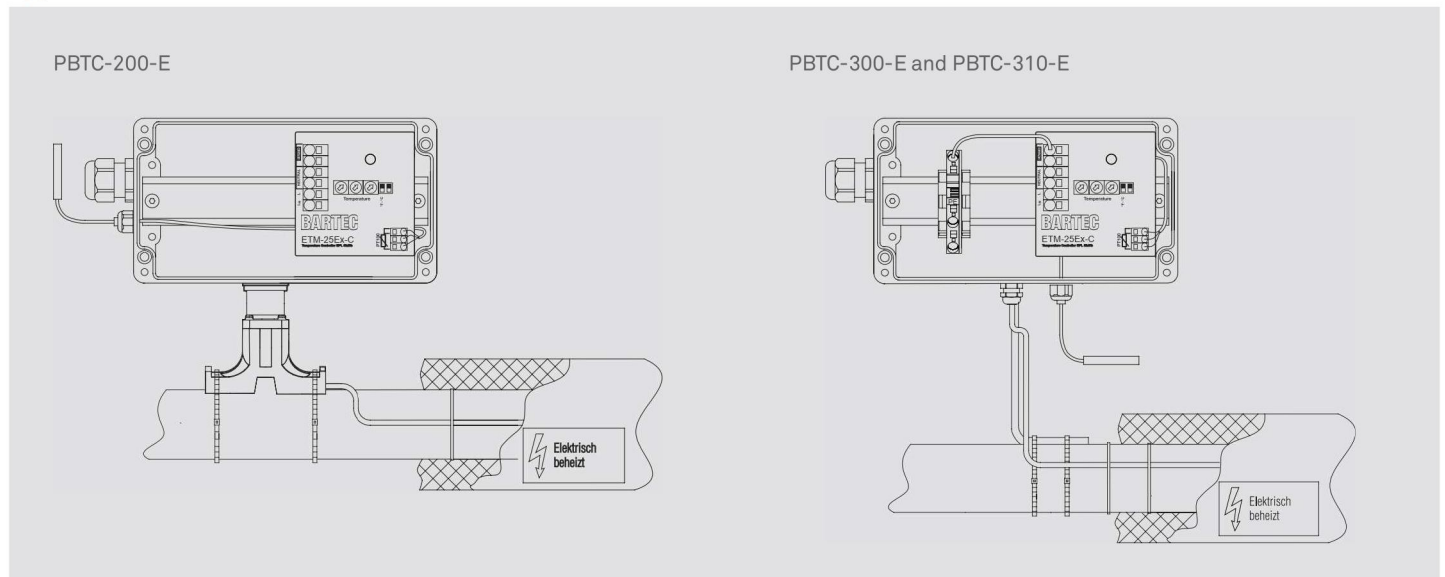


## Application



## Kit Content / Ordering information

|                         | PBTC-200-E   | PBTC-300-E  | PBTC-310-E  |
|-------------------------|--|---|---|
| Kit contents            | 1 Junction Box with terminals (1)<br>1 thermostat ETM-25Ex-C<br>1 stand assembly<br>1 cold applied boot and end seal<br>1 green/yellow tube<br>2 cable grommets<br>1 Pt100 M | 1 Junction Box with terminals (1)<br>1 thermostat ETM-25Ex-C<br>1 plate and bracket assembly<br>1 cold applied boot and end seal<br>1 green/yellow tube<br>1 cable gland with grommets<br>1 Pt100 M | 1 junction box with terminals (1)<br>1 thermostat ETM-25Ex-C<br>1 stand assembly<br>1 plate and bracket assembly<br>1 cold applied boot and RTV<br>1 cable earth lug<br>1 cable gland with grommet<br>1 Pt100 M |
| Compatible cable series | PSB, MSB, HSB+, HTSB   | PSB, MSB, HSB+, HTSB  | BPL   |
| Box Size                | 120 mm x 220 mm x 90 mm  | 120 mm x 220 mm x 90 mm   | 120 mm x 220 mm x 90 mm   |
| Box support             | Integrated PPS mounting stand  | Mounting plate and bracket, galv. steel   | Mounting plate and bracket, galv. steel   |
| Stand height            | 120 mm   | 300 mm  | 300 mm  |
| Power entry             | M25 cable gland  | M25 cable gland   | M25 cable gland   |
| Heating cable entry     | 2 x grommet  | 1 x heating cable gland   | 1 x heating cable gland   |
| Terminals               | Spring Type, Ex e,<br>1 supply phase, 1 supply neutral,<br>1 heater phase, 1 heater neutral, 2 ground  | Spring Type, Ex e,<br>1 supply phase, 1 supply neutral,<br>1 heater phase, 1 heater neutral, 4 ground   | Spring Type, Ex e,<br>1 supply phase, 1 supply neutral,<br>1 heater phase, 1 heater neutral, 4 ground   |
| Terminal size           | 6mm <sup>2</sup>   | 6mm <sup>2</sup>  | 6mm <sup>2</sup>  |
| Order no.               | 27-54C2-4412E210   | 27-54C2-4411E210  | 27-54C3-4412E210  |

(1) junction Box in stainlesssteel or aluminium on request